

PRODUCT INFORMATION PACKET

marathon[®]
Motors

Model No: 182THTS9076
Catalog No: W509
1 1/2, 1200, TENV, 182T, 3/60/460
Severe Duty



Regal and Marathon are trademarks of Regal Beloit Corporation or one of its affiliated companies.
©2018 Regal Beloit Corporation, All Rights Reserved. MC017097E

REGAL[®]

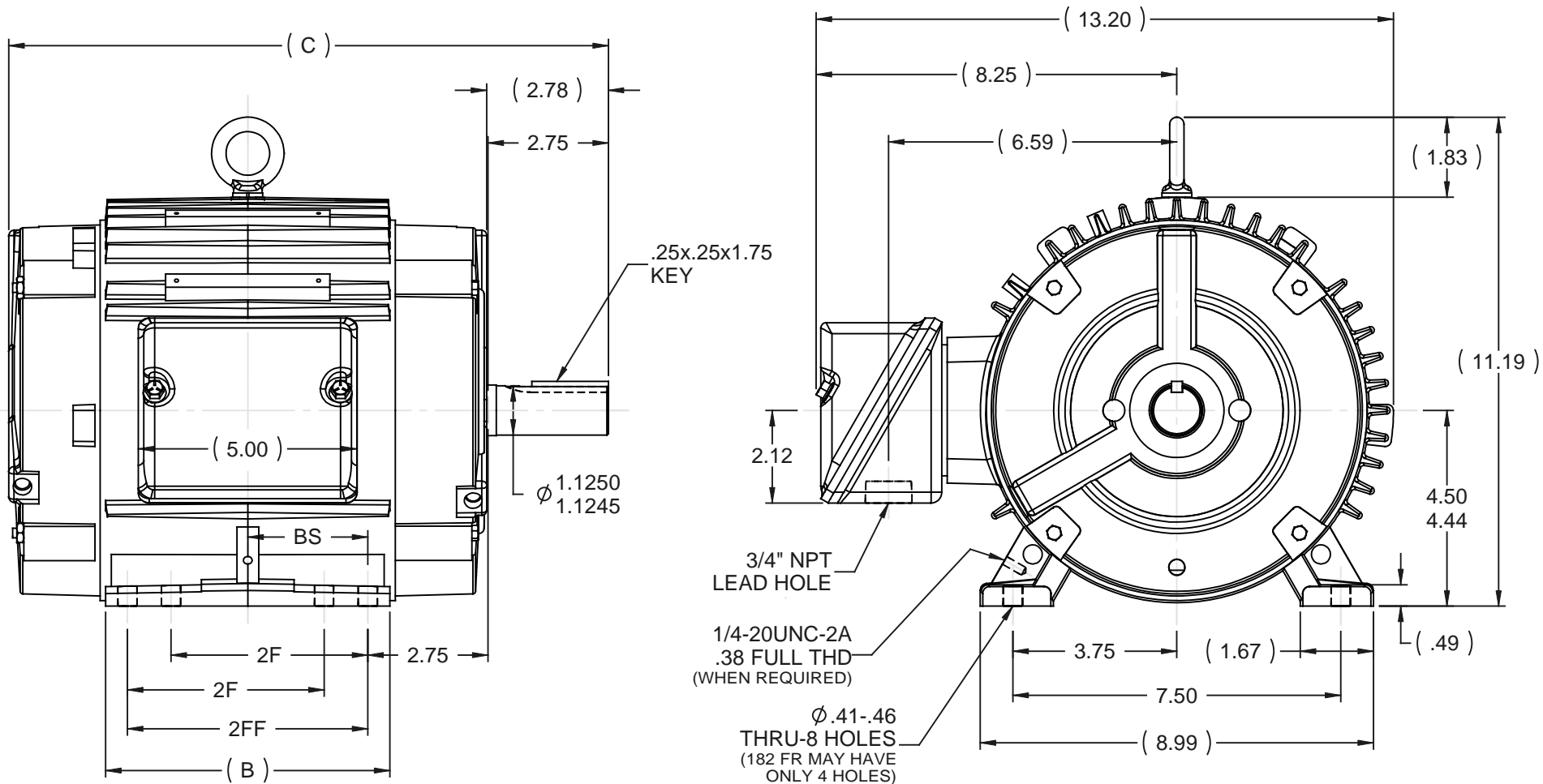


Nameplate Specifications

Output HP	1.50 Hp	Output KW	1.1 kW
Frequency	60 Hz	Voltage	460 V
Current	2.2 A	Speed	1175 rpm
Service Factor	1.15	Phase	3
Efficiency	87.5 %	Duty	Continuous
Insulation Class	F	Design Code	B
KVA Code	L	Frame	182T
Enclosure	Totally Enclosed Non Ventilated	Overload Protector	No
Ambient Temperature	40 °C	Drive End Bearing Size	6206
Opp Drive End Bearing Size	6205	UL	Recognized
CSA	Y	CE	Y
IP Code	56		

Technical Specifications

Electrical Type	Squirrel Cage Inverter Rated	Starting Method	Line Or Inverter
Poles	6	Rotation	Reversible
Mounting	Rigid base	Motor Orientation	Horizontal
Drive End Bearing	Ball	Opp Drive End Bearing	Ball
Frame Material	Cast Iron	Shaft Type	T
Overall Length	12.71 in	Frame Length	5.75 in
Shaft Diameter	1.125 in	Shaft Extension	2.78 in
Assembly/Box Mounting	F1/F2 Capable		
Outline Drawing	A-SS69966-575	Connection Diagram	A-EE7300



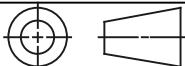
NOTES:

1. CONDUIT BOX CAN BE ROTATED IN 90° STEPS.
2. CONDUIT BOX CAN BE MOUNTED ON OPPOSITE SIDE BY REMOVING BRACKETS AND TURNING FRAME 180°
3. NAMEPLATES TO BE READ FROM CONDUIT BOX SIDE OF MOTOR.

DASH	FRAME	B	C	BS	2F	2FF
575	182T	5.50	12.71	2.25	--	4.50
675	184T	6.50	13.71	2.75	4.50	5.50
800	184T	7.75	14.96	3.38	5.50	6.75

TOLERANCES UNLESS SPECIFIED		MARATHON ELECTRIC		DRAWN	TJW 5/19/2009				
DEC	INCHES	TITLE OUTLINE 180T FR. - TENV		CHK	CTO 5/19/2009				
.X	±.1			APPR	EH 5/19/2009				
.XX	±.03			SCALE	9:32				
.XXX	±.005			REF	SS68833				
.XXXX	±.0005			FMF	CN09-1258				
NO	REVISION	BY & DATE	CHK	ANG	±7'30"	FINISH	PAGE	OF	
			RFP	5/19/2009	PREV		SIZE	DRAWING NO	REV
			NETWORK FILE NAME	SS69966			A	SS69966	

THIRD ANGLE PROJECTION



**THREE PHASE - SINGLE VOLTAGE
MOTOR - CONDUIT BOX @ 'A'**

**TO REVERSE ROTATION:
INTERCHANGE ANY TWO
LINE LEAD CONNECTIONS.**

TERMINAL BLOCK WHEN SPECIFIED



VIEW OF TERMINAL END

**IF MOTOR HAS
6 LEADS**



A-9806 DECAL

**OPTIONAL CORD
CONNECTION**

- L1 WHITE
- L2 RED
- L3 BLACK

DRAWING REVISION AB	REVISION BY JJB	DATE 06-27-2017
ECO ECO-0125361	APPROVED BY TB	DATE 06-27-2017
ECO DESCRIPTION UPDATED TO CURRENT STANDARDS		
<small>COPYRIGHT REGAL BELOIT AMERICA, INC. ALL RIGHTS RESERVED. PROPRIETARY AND CONFIDENTIAL INFORMATION - THIS DOCUMENT IS THE PROPERTY OF REGAL BELOIT AMERICA, INC. ("OWNER") AND CONTAINS OWNER'S PROPRIETARY INFORMATION. ANY PERSON, CORPORATION OR OTHER FIRM RECEIVING IT IS DEEMED, BY RECEIVING IT, TO AGREE THAT IT, AND/OR ANY PART OF IT, SHALL NOT BE DISCLOSED TO ANY PERSON, CORPORATION OR OTHER ENTITY, DUPLICATED, AND/OR USED, EXCEPT AS EXPRESSLY APPROVED IN WRITING IN ADVANCE BY OWNER. THIS DOCUMENT SHALL BE RETURNED TO OWNER UPON REQUEST. IT MAY BE SUBJECT TO CERTAIN RESTRICTIONS UNDER APPLICABLE EXPORT CONTROL LAWS AND REGULATIONS.</small>		



DRAWN BY DA
DATE 03-26-1993
APPROVED BY TB
DATE 03-26-1993
REFERENCE
THIRD ANGLE PROJECTION

Regal Beloit America, Inc.		
		DESCRIPTION CONNECTION DIAGRAM EXTERNAL - SINGLE VOLTAGE - 3Ø MOTOR
MATERIAL	PROCESS/FINISH	
SIZE A	DRAWING NUMBER EE7300	SHEET 1 OF 1

Data Sheet

Date: 19-06-2017
 Customer: _____
 Attention: _____
 Submitted by: FAREEDA DUDEKULA



182THTS9076

Submittal

Data @ 460 V

Motor Load Data

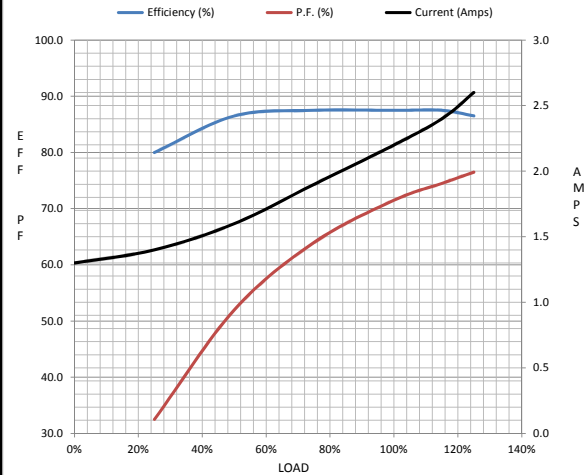
Load	0%	25%	50%	75%	100%	115%	125%	LR
Current (Amps)	1.30	1.40	1.60	1.90	2.20	2.40	2.60	17.0
Torque (ft-lb)	0.00	1.70	3.4	5.2	6.8	7.8	8.5	13.4
RPM	1200	1195	1188	1182	1175	1,172	1168	0
Efficiency (%)		80.0	86.5	87.5	87.5	87.5	86.5	
P.F. (%)	6.0	32.5	52.0	64.0	71.5	74.5	76.5	45.0

Motor Speed Data

	LR	Pull-Up	BD	Rated	Idle
Speed (RPM)	0	600	1050	1175	1200
Current (Amps)	17.0	15.0	8.2	2.20	1.30
Torque (ft-lb)	13.4	11.8	24.4	6.8	0.00

Information Block

HP	1.5			
Sync. RPM	1200			
Frame	182			
Enclosure	TENV			
Construction	TTS			
Voltage	460 V			
Frequency	60 Hz			
Design	B			
LR Code letter	L			
Service Factor	1.15			
Temp Rise @ FL	50 ° C			
Duty	CONT			
Ambient	40 ° C			
Elevation	1,000 feet			
Rotor/Shaft wk ²	0.38 Lb-Ft ²			
Ref Wdg	K182644 NONE			
Sound Pressure @ 1M	60 dBA			
VFD Rating	CONSTANT 2:1			
Outline Dwg	A-SS69966-575			
Conn. Diag	A-EE7300			
Additional Specifications:				
0				
365THFS8036				
EQUIV CKT (OHMS / PHASE)				
R1	R2	X1	X2	Xm
1.3200	0.7140	3.0040	3.3720	44.6990



Speed -Torque Curve

